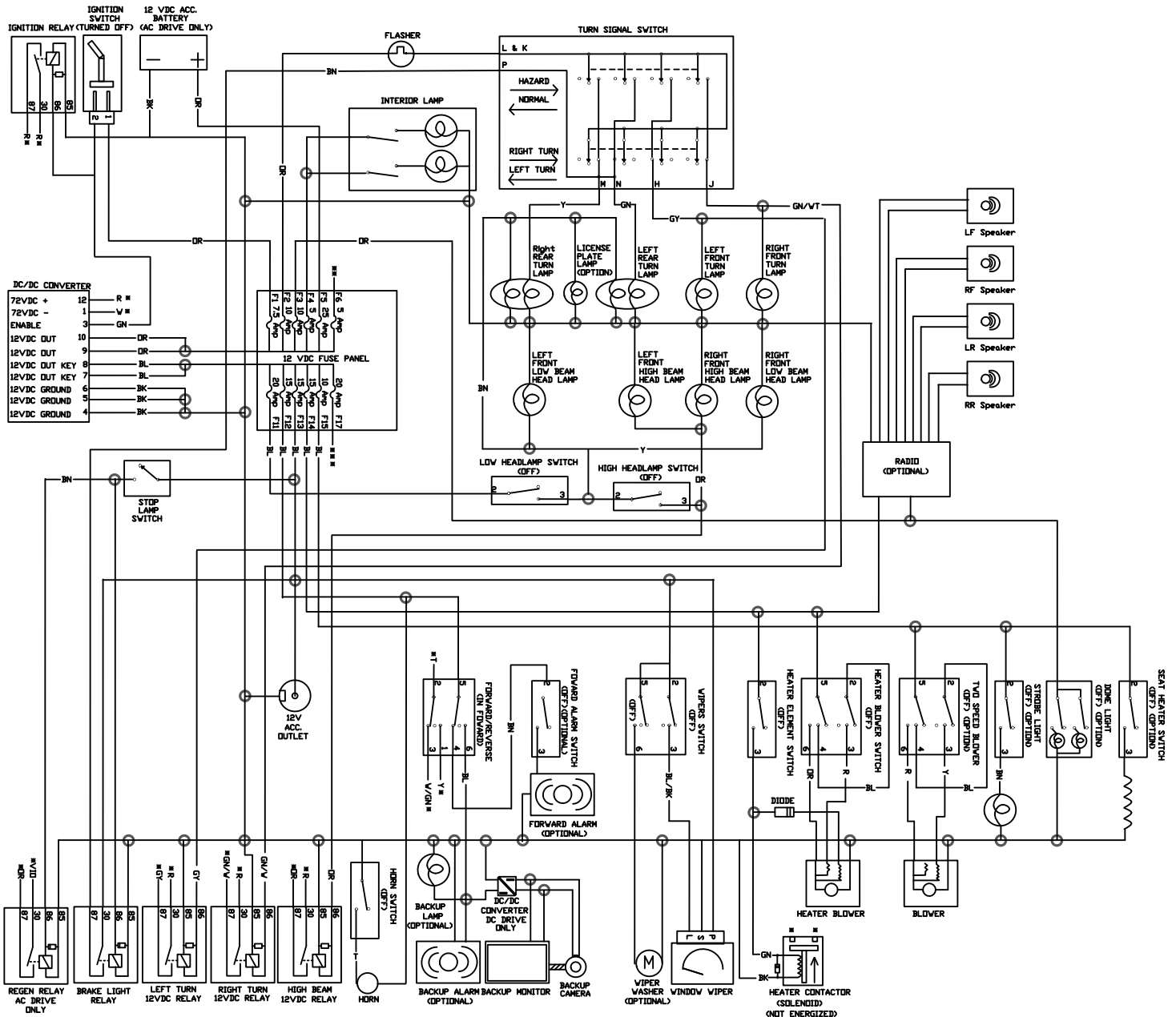


LOW VOLTAGE WIRING DIAGRAM



■■■ SEE HIGH VOLTAGE WIRING DIAGRAM
 ■■■ SEE LITHIUM ION WIRING DIAGRAM
 ■■■ SEE AIR CONDITIONER WIRING DIAGRAM